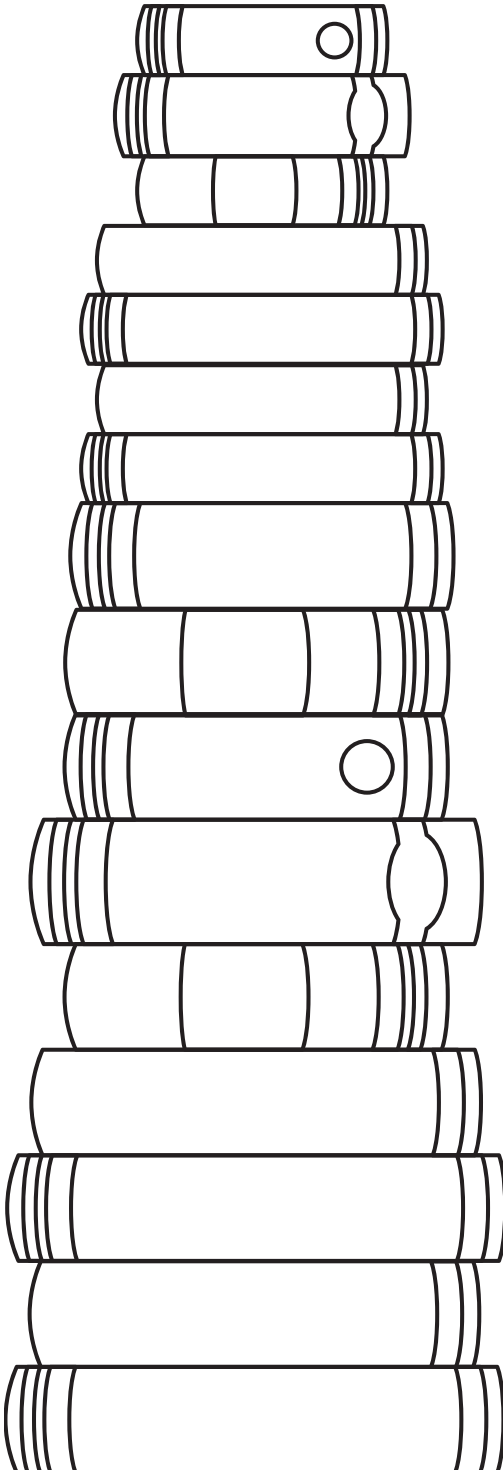


RECOMMENDED READING LIST



Books about dancing and moving:

Giraffes Can't Dance

By Giles Andreae

Illustrated by Guy Parker-Rees

How Do You Dance?

By Thyra Heder

Firebird

By Misty Copeland

Illustrated by Christopher Myers

From Head to Toe

By Eric Carle

World of Dance

By Jane Yolen & Heidi E. Y. Stemple

Illustrated by Helen Cann

Recommended by Tara Compton

After dancing with Ms. Tara, check out some of her favorite books!

Sulwe

By Lupita Nyong'o

Illustrated by Vashti Harrison

The Day You Begin

By Jacqueline Woodson

Illustrated by Rafael López